

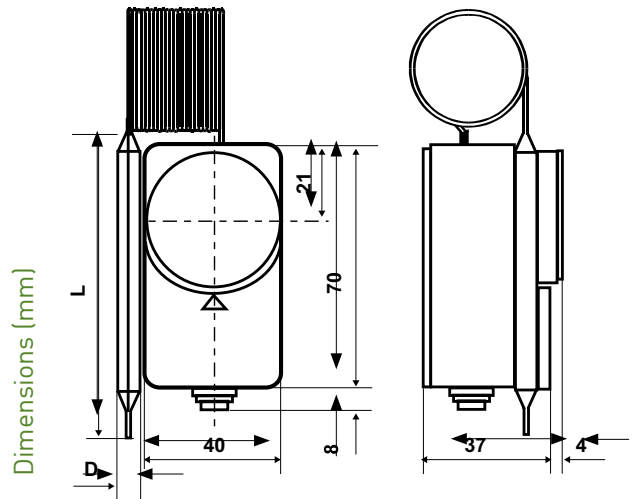
Thermostats with capillary and bulb for remote mounting



Thermostats with capillary to control the temperature in the boilers, in the air-conditioning and cooling systems, in household appliances, in electrical furnaces.



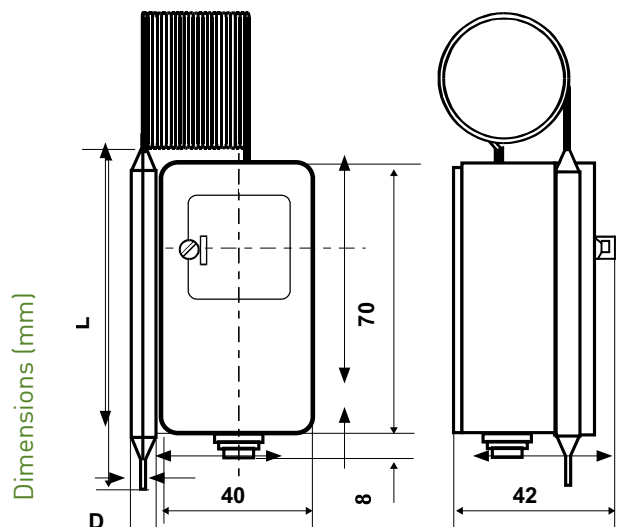
Type	L	D
C04A3	69	6,5
C04B3	65	5
C04C2	144	6
C04D2	144	6
C04E3	69	6,5



	Temperature range °C	Differential K	Calibration accuracy °C	Maximum bulb temperature °C	Admissible body temperature °C	Capillary length mt	Protection level
C04A3	10 ÷ 90	6 ± 1	± 3	150	120	1	IP40
C04B3	50 ÷ 300	8 ± 2	± 3	350	120	1,5	IP40
C04C2	- 20 ÷ 40	2 ± 0,5	± 2	80	60	1,5	IP40
C04D2	- 35 ÷ 20	2 ± 0,5	± 2	80	50	1,5	IP40
C04E3	40 ÷ 120	6 ± 2	± 3	150	120	1	IP40



Type	L	D
C04A3RI	69	6,5
C04B3RI	87	5
C04C2RI	144	6
C04D2RI	144	6
C04E3RI	69	6,5



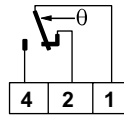
C04A3RI	10 ÷ 90	6 ± 1	± 3	150	120	1	IP40
C04B3RI	50 ÷ 300	8 ± 2	± 3	310	120	1,5	IP40
C04C2RI	- 20 ÷ 40	2 ± 0,5	± 2	80	60	1,5	IP40
C04D2RI	- 35 ÷ 20	2 ± 0,5	± 2	80	50	1,5	IP40
C04E3RI	40 ÷ 120	6 ± 2	± 3	150	120	1	IP40

*The differential is subtracted from the range value. The differential values refer to a thermal gradient of 1K/hour in liquid and 4K/hour in air.

ELECTRICAL FEATURES

Two directions microswitch of instant action with AGcdO contacts.

Contact parameters in compliance with EN 60730-1: 15(6)A 250V~ 50Hz.



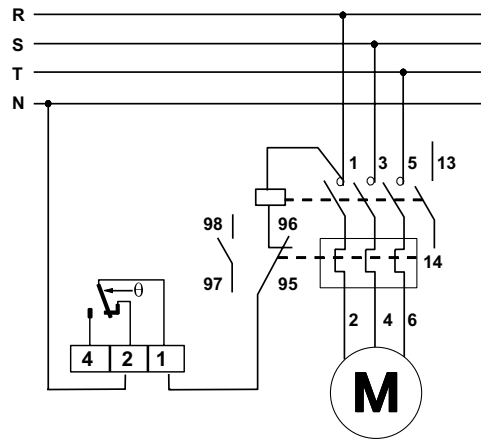
Parameters in compliance with EN 60947-5-1:

Nominal insulation voltage: U_i 380V~.

Nominal continuous current: I_{th} 15A.

Nominal operating current I_e	220V~	250V~	380V~
Resistive load	AC-12	-	15A
Inductive load	AC-15	-	2,5A
Direct current	DC-13	0,2A	-

EXAMPLE OF ELECTRICAL CONNECTION



STANDARDS AND CERTIFICATES

Compliance with standards EN 60947-5-1, EN 60730-1.

INSTALLATION

Wall mounting for the thermostat body.

The bulb with capillary can be mounted remotely and is provided with seal caps or copper casing with GC 1/2 connection.

OPERATION

When the temperature increases: 1-2 are opening, 1-4 are closing.

Liquid expansion function.

FEATURES

Sensing element with stainless steel diaphragm.

Copper bulb and capillary. Copper bulb and capillary, tinned for types C04C2 and C04D2.

Base in shock-proof self-extinguishing thermoplastic material V0.

Electrical connection output with PVC cable gland.

The storage and transport temperature corresponds to the thermostat's body admissible temperature.

Unit weight 0,16 Kg.

ACCESSORIES



303298LA

Cable gland G1/2 for connection output in shock-proof self-extinguishing thermoplastic material V0.



G28

Copper sheath Gc 1/2 PN10 bar, length 177mm, supplied with spring to fix the capillary. (Dimensions page 7)



G23

Seal cap Gc 1/2 PN10 bar, without sheath. (Dimensions page 7)

EXECUTION UPON REQUEST WITH SPECIAL TEMPERATURE RANGE

	Temperature (1) range °C	Scale (*) angle °C	Range in execution fixed calibration
C04A xx yy	0 ÷ 120	80	10 ÷ 80
C04B xx yy	10 ÷ 300	250	
C04C xx yy	-35 ÷ 60	60	- 20 ÷ 60
C04D xx yy	-35 ÷ 60	75	
C04E xx yy	10 ÷ 320	270	

Note: Special temperature range is chosen in the range of temperature (1) and must always exceed the set value "scale angle" (*).

Example: C04 - 10/50, special execution C02, temperature range -10 ÷ 50°C, scale angle 60°C.