

# GALVANOSTAT

Swiss based Trafag is a leading international supplier of high quality sensors and monitoring instruments for the measurement of pressure and temperature.



## Applications

- Process technology

## Features

- Short response time
- Protection IP54
- Electrical connection on terminal screw

02/2017

Data sheet H72179i

## Technical Data

Designation of application	Remote sensing thermostat	Switching differential	Not adjustable
Measuring range	+5°C ... +95°C and +20°C ... +150°C	Repeatability	± 0.5 % FS typ.
Output signal	Floating change-over contact	Approval / conformity	EN60730-1/ EN60730-2-9: Typ 2.B.H

Subject to change

## Ordering information/type code

		XXX	XX	XX	XXX	XX	XX	XX
<b>Custom build code</b>	External adjustment	657						
	Internal adjustment	658						
<b>Microswitch</b>	Small switching differential, not adjustable		10					
	Average switching differential, not adjustable		11					
	With gold plated contacts, not adjustable		21					
<b>Range</b>	<b>Range [°C]</b>							
	+5 ... +95		105		20			
	+20 ... +150		165		31			
<b>Sensor</b>	Copper with protection tube Teflon FEP				326			
<b>Fixing</b>	Angle PVC						26	
<b>Accessories</b>	Switchpoint locking <sup>2)</sup>							15
	Switchpoint fixed and sealed upon customer's request <sup>2)</sup>							88
	Switchpoint preset upon customer's request, no guarantee on switching accuracy <sup>2)</sup>							83
	Switchpoint adjustment please indicate when ordering: - Switchpoint [°C]							
	- Increasing or decreasing							
	Condensator over Pin 1-2							12
	Condensator over Pin 1-3							13
	Condensators over Pin 1-2 / 1-3							23
	Outdoor application (vented)							44
	Cover with window							77
<b>Capillary tube length</b>	Capillary tube length up to 5000 mm (no specification required for direct mounting on protection tube) L=XXXX <sup>1)</sup>							

<sup>1)</sup> Overlengths upon request

<sup>2)</sup> Only with type 658, internal adjustment

## Standard products (extra short lead time)

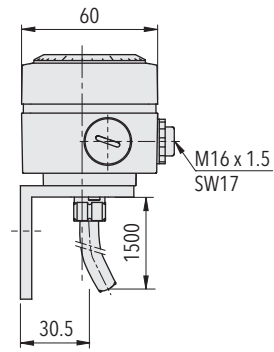
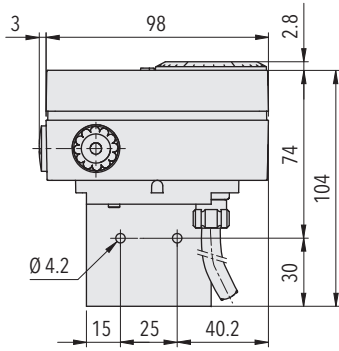
Product No.	Type Code	Temperature range [°C]	Switching differential [°C]	Sensor max. [°C]
GS95	658 1120 326 26	+5 ... +95	2.5 (fixed)	105
GS150	658 1131 326 26	+20 ... +150	3.0 (fixed)	165

Specifications		
<b>Accuracy</b>	Repeatability	$\pm 0.5\%$ FS typ.
	Scale accuracy typ.	$\pm 3\%$ FS typ.
	Switching differential	See table
	Switching point	Temperature compensated with bimetal switch lever
<b>Environmental conditions</b>	Ambient temperature	-30°C ... 70°C
	Storage temperature	-30°C ... 85°C
	Protection	IP54
	Humidity	Max. 95 % relative
<b>Mechanical Data</b>	Sensor housing	See ordering information
	Filling	Liquid
	Housing	PC/ABS-Blend V0
	Screwed cable gland	PE, Polyethylene
	Installation	Any position
	Weight	~ 380 g
<b>Microswitch</b>	Rating	See table
	Resistance of insulation	$> 2\text{ M}\Omega$
	Dielectric strength	U $\leq$ 250V: 1.45 kV U $\leq$ 500V: 2 kV terminal ground
	Life time (mechanical)	Microswitch 10/11: 20 Mio. cycles Microswitch 21: 0.5 Mio. cycles
<b>Electrical connection</b>	Cable gland	M16x1.5 Cable-Ø 4...9 mm
	Terminal screw	3 x 1...2.5 mm <sup>2</sup>

#### Additional information

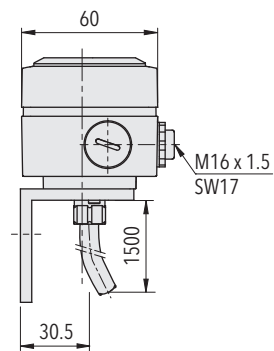
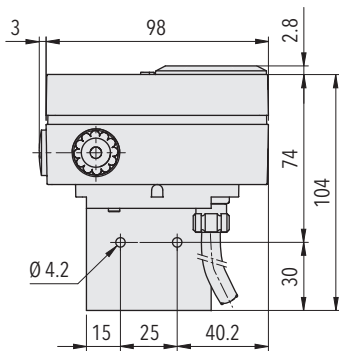
<b>Documents</b>	Data sheet	<a href="http://www.trafag.com/H72179">www.trafag.com/H72179</a>
	Instructions	<a href="http://www.trafag.com/H73624">www.trafag.com/H73624</a>
	Flyer	<a href="http://www.trafag.com/H70959">www.trafag.com/H70959</a>

## Dimensions



657.XXXX.326.26...

G...



658.XXXX.326.26...

GS...

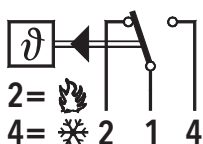
## Switching differential typ.

Range	[°C]	+5 ... +95	+20 ... +150
<b>Microswitch 10</b> Switching differential (fixed value, not adjustable)	[°C]	0.3	0.8
<b>Microswitch 11/21</b> Switching differential (fixed value, not adjustable)	[°C]	2.5	3.0

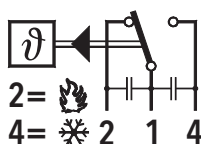
## Electrical data switch

Type	Features	Rating	
		Resistive Load (Inductive Load)	
		AC	DC
<b>10</b>	Small switching differential, not adjustable	125 V, 10 (1.5) A 250 V, 10 (1.25) A	250 V, 0.2 (0.02) A 125 V, 0.4 (0.03) A 30 V, 2 (1) A 14 V, 15 (2.5) A
<b>11</b>	Average switching differential, not adjustable	125 V, 15 (1.5) A 250 V, 15 (1.25) A 500 V, 10 (0.75) A	250 V, 0.25(0.03) A 125 V, 0.5(0.05) A 30 V, 6 (1.5) A 14 V, 15 (1.5) A
<b>21</b>	Gold plated contacts, not adjustable	24 V, 0.1 (0.1) A 12 V, 1 (1) A 5 V, 2 (2) A	24 V, 0.1(0.1) A 12 V, 1 (1) A 5 V, 2 (2) A

## Electrical Connection



657/658



with accessory 23