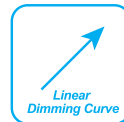
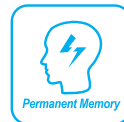
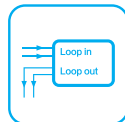
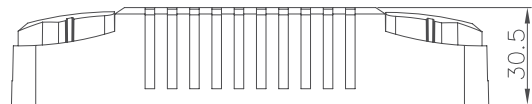
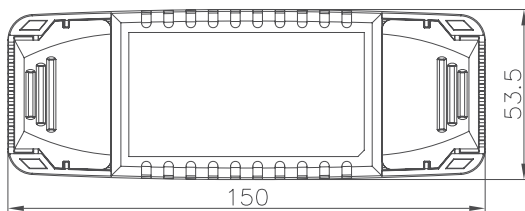
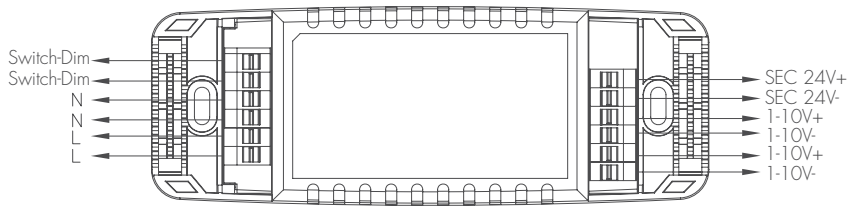
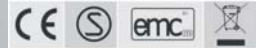


CONSTANT VOLTAGE

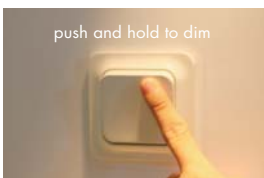
Dimmable LED Driver

1-10V Dimming & Switch-Dim

Model: HE6030-A 24V



Switch - Dim



- On/off control: short push (<1s) on the switch.
- Stepless dimming: long push (>1s) on the switch.
- For fine tuning of light level: with every other long push, the light level goes to the opposite direction.
- Built-in with permanent memory: light returns to the previous dimming level when switched off and on again, even at power failure.

Synchronization

Up to 50pcs drivers can be connected to the same switch, thanks to the programme. This means there is no need for any additional synchrony wire in large installation, where many drivers should be controlled by one switch.

Please follow the steps below to achieve synchronization function if more than one driver are connected to the same push button:

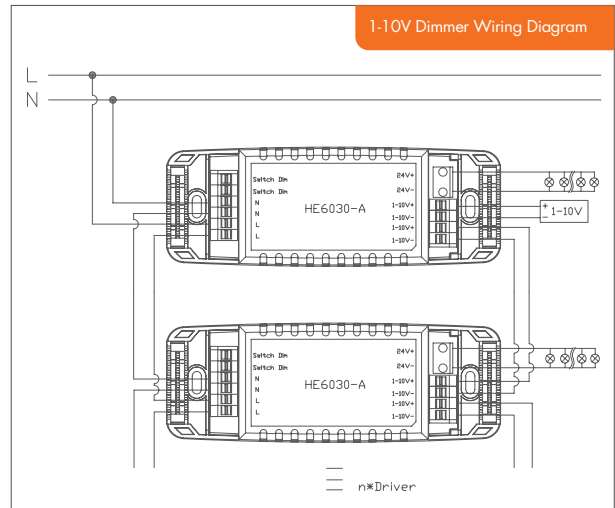
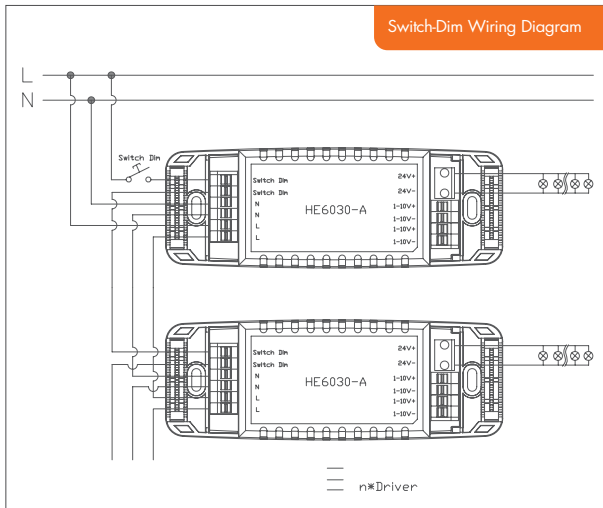
- Press the push button for more than 1s (long push), then a short push (<1s). Now the devices are switched off.
- Long push the button, the system is now synchronized.

Loop-in, loop-out

With double terminals on the primary side, it is easy to connect many drivers in series, simply take the L, N, and switch-Dim. from the previous driver to the next driver, Saves a lot of wires and work!!

Permanent memory

This driver has built-in permanent memory against power failure, which means the light always starts up at the previous level when it was switched off last time.



Specification	
Mains voltage	220-240VAC 50/60Hz
Mains current	0.165A(Max.)
Mains power	35.5W(Max.)
Output voltage(U-out Max.)	24VDC
Power factor	≥0.95
Operation temperature	Ta: -20~45°C Tc:75°C
Output current	1.25A (Max.)
Max. Efficiency	85%
Over-heat protection	Over-heat protection with auto-reset
Dielectric strength	Input→Output3750Vac/5mA/1min
IP grade	IP20
EMC standard	EN55015 EN61547 EN61000-3-2/3
Safety standard	EN61347-1 EN61347-2-13 EN60598-1
Certification	Semko, CE, EMC